

ESD test system

To test electro-explosive devices

SESD 2910



- ◆ EN 13763-13 - Determination of resistance of electric detonators to electrostatic discharge
- ◆ 30 kV test voltage
- ◆ Capacity module 150 pF – 5000 pF
- Resistor module 0.5 Ω – 5000 Ω
- ◆ Serial interface

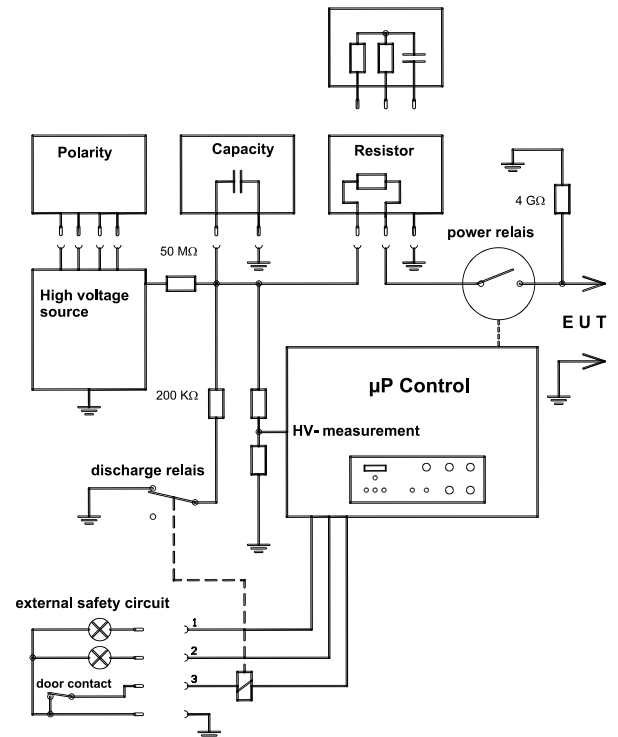
Introduction

The test generator SESD 2910 was developed especially „for Proof Immunity to Disturbance of Electro explosive Devices (EED) toward Pulses of Electrostatic Discharge“.

The SESD 2910 simulates electrostatic discharge as defined in the EN 13763-13, March 2004 and the military standard (draft version) VG 95378-11, May 1997. The generator can be used to test electrical detonators in automotive application – for example Airbag.



Optionally transport case
For resistor and capacity modules



Schematic diagram SESD 2910

Technical data SESD 2910

◆ Output voltage	1 kV to 30 kV
◆ Polarity of the output voltage	Positive und negative
◆ Test mode	Air and contact discharge
◆ Polarity changing	Automatically
◆ Capacity module	see options >module>
◆ Resistor module	see options >module>
◆ Repetition frequency of the discharge pulses	1 / 5 / 10 / 30 sec. at contact / relay discharge
◆ Pre-selectable counter	1 – 9990
◆ Safety circuit	Output for safety switch and warning lamps red /green. The high voltage is discharged internal within 50 ms, in case the safety circuit is interrupt.
◆ Main	230 VAC, 50 Hz, 3A 110 VAC, 60 Hz on demand

Dimension:

◆ Width:	34,2 cm
◆ High:	26,5 cm
◆ Depth:	38,0 cm (without grip)
◆ Weight:	app. 20 kg

Module / Option

Capacity Module

Value *	Type
150 pF	SESD 29 C 150
200 pF	SESD 29 C 200
300 pF	SESD 29 C 300
330 pF	SESD 29 C 330
470 pF	SESD 29 C 470
500 pF	SESD 29 C 500
1000 pF	SESD 29 C 1000
1500 pF	SESD 29 C 1500
2000 pF	SESD 29 C 2000
2500 pF	SESD 29 C 2500
3000 pF	SESD 29 C 3000
3500 pF	SESD 29 C 3500
5000 pF	SESD 29 C 5000

Resistor Module

Value *	Type
0,5 Ohm	SESD 29 R 05
1 Ohm	SESD 29 R 1
2 Ohm	SESD 29 R 2
5 Ohm	SESD 29 R 5
10 Ohm	SESD 29 R 10
15 Ohm	SESD 29 R 15
20 Ohm	SESD 29 R 20
75 Ohm	SESD 29 R 75
150 Ohm	SESD 29 R 150
330 Ohm	SESD 29 R 330
500 Ohm	SESD 29 R 500
2000 Ohm	SESD 29 R 2000
5000 Ohm	SESD 29 R 5000

* Other values and combination on request

SESD 2990 Transport case for max. 12 modules (see first page)