

TC-5930A/AR Shield Box



Features

- High RF Shielding
- Easy Opening/Closing of lid
- EMI filters on all Data and DC lines
- Customizable Data connections
- 19" Rack Mount Set (TC-5930AR): TC-5930A 2 EA, 19" Rack Mounting Bracket

Specifications

Mechanical Specifications

[TC-5930A]

Dimension

Inside	170(W) x 312(D) x 240(H) mm
Outside	217(W) x 396(D) x 282(H) mm
Door	163(W) x 238(H) mm

Weight

approx. 9 kg

***Packing**

Size	370(W) x 510(D) x 400(H) mm
Weight	approx. 11 kg

[TC-5930AR]

Dimension

Inside	170(W) x 312(D) x 240(H) mm
Outside	483(W) x 488(D) x 310(H) mm
Door	163(W) x 238(H) mm

Weight

approx. 24 kg

***Packing**

Size	640(W) x 690(D) x 440(H) mm
Weight	approx. 31 kg

* The size or weight of a package may vary on how to pack a package.

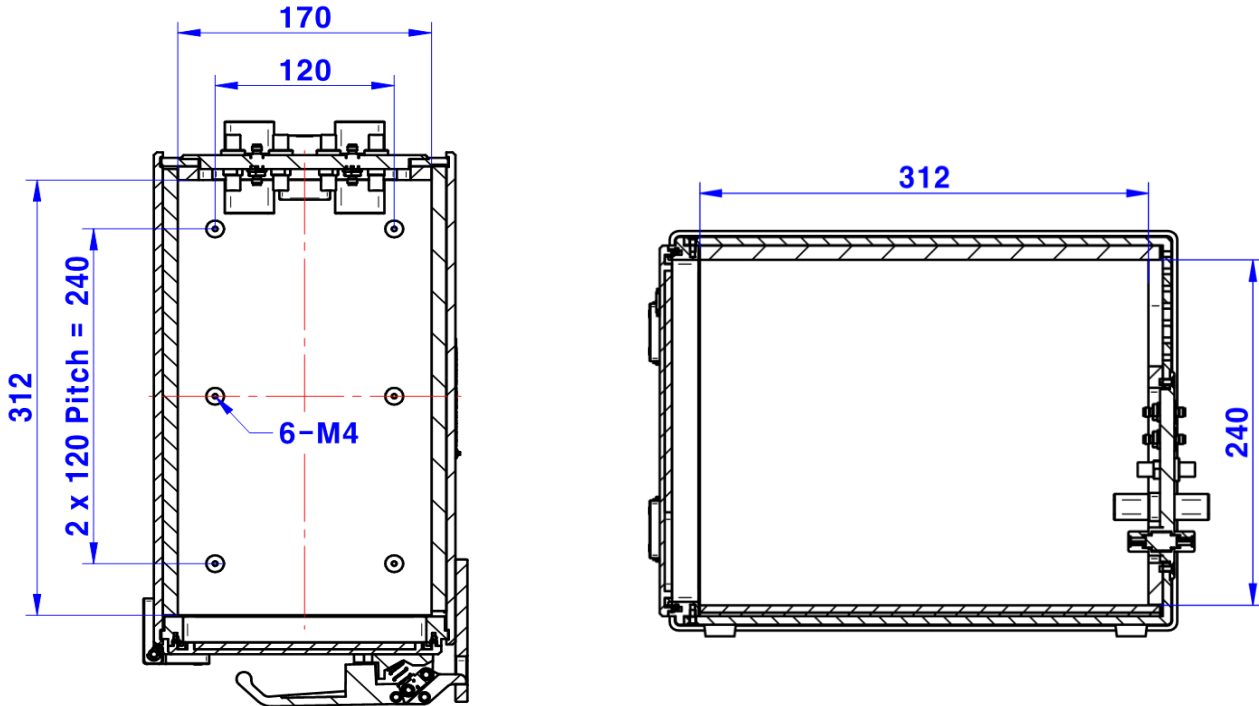
Typical RF Shielding

- The shielding effectiveness below is measured when the blank panel is mounted; other I/O interface panel results a different shielding effectiveness of the shield box.

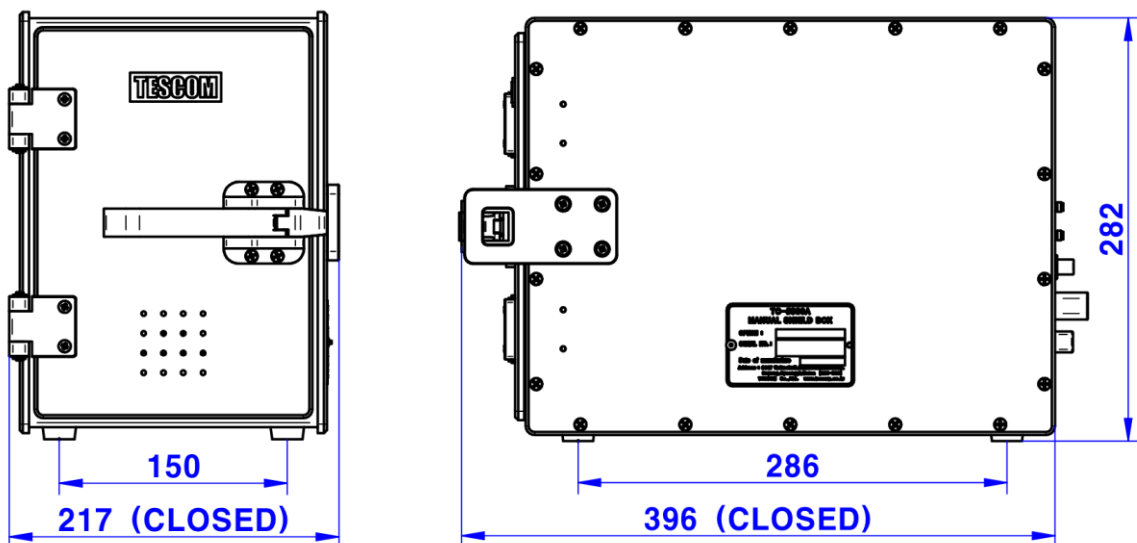
Frequency	Shielding effectiveness (dB)
100 to 2000 MHz	> 80 dB
2000 to 3000 MHz	> 70 dB
3000 to 6000 MHz	> 60 dB

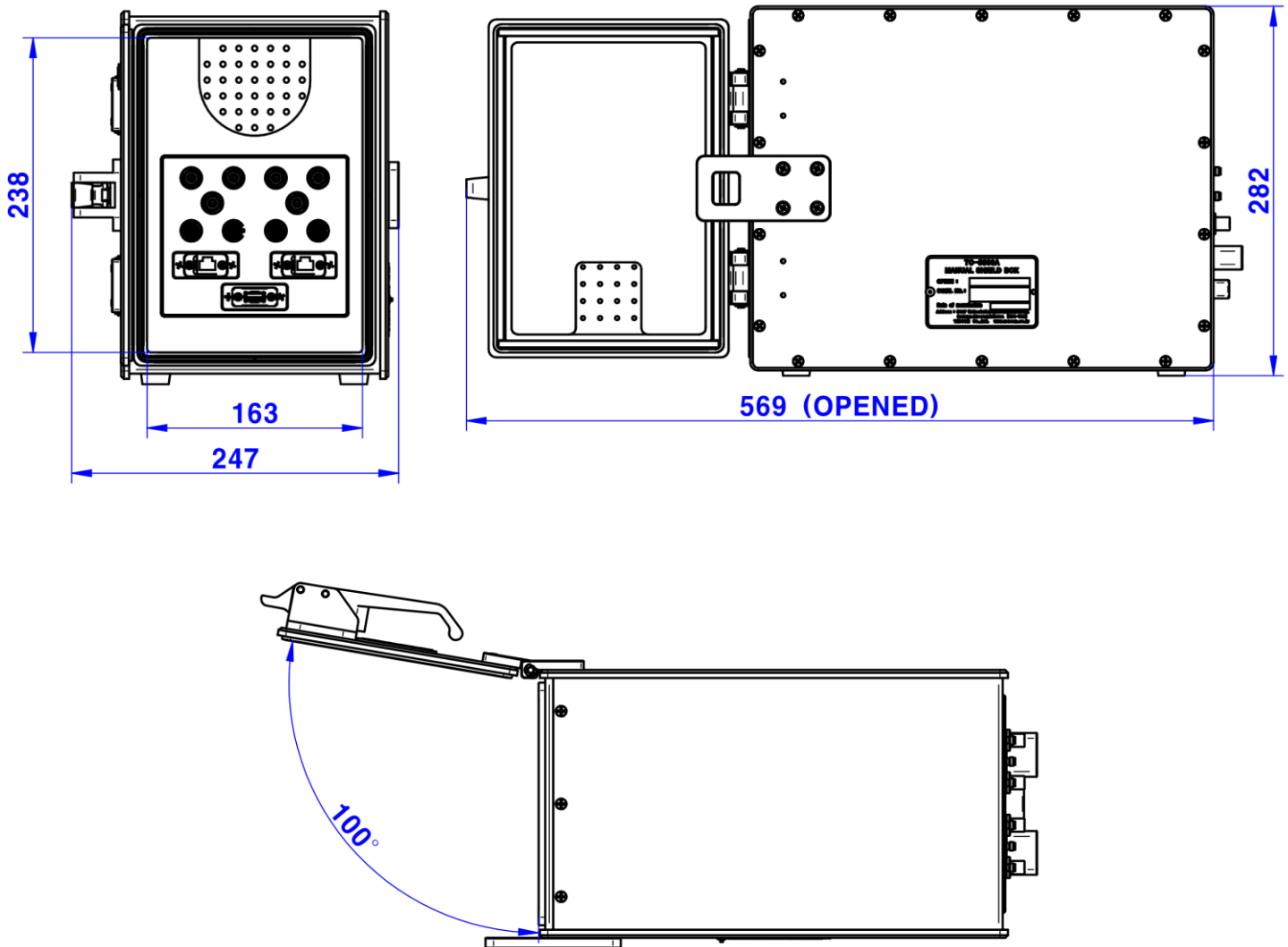
Dimensions

- TC-5930A Inner Dimension (WxDxH) : 170(W) x 312(D) x 240(H) mm



- TC-5930A Outer Dimension (WxDxH) : 217(W) x 396(D) x 282(H) mm

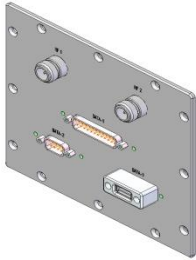
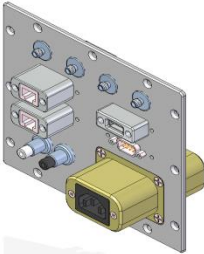





Ordering Information

Order Number	Description
	Shield Box (including accessories below)
TC-5930A	Test Report RF Cable, SS-402, N(m) to N(m) 1 m, 1 pc
	Shield Box (TC-5930A 2 EA, 19" Rack Mount Set, including accessories below)
TC-5930AR	Test Report RF Cable, SS-402, N(m) to N(m) 1 m, 2 pc

Pre-Configured I/O Interface Panel

I/O Interface Panel	Order Number	Configuration
	M5930A01A	<ul style="list-style-type: none"> two(2) N(f) outside and SMA(f) inside one(1) DB25(p) outside and DB25(s) inside, 1000 pF Pi filter one(1) DB9(p) outside and DB9(s) inside, 1000 pF Pi filter one(1) USB 2.0 outside and inside
Data Interface Panel 	M5930A04A	<ul style="list-style-type: none"> four(4) SMA(f) outside and SMA(f) inside one(1) DB9(p) outside and DB9(s) inside, 1000 pF Pi filter one(1) USB 2.0 outside and inside one(1) Banana Jack type DC power adapter two(2) RJ-45 outside and inside one(1) AC power Adapter
Data Interface Panel 	C5930A-2032A	<ul style="list-style-type: none"> one(1) DC Fan, DC 24 V (exhaust)
Cooling Fan		

Cooling Fan assembly position (e.g. TC-5930AR)





[TC-5930AR Rear]

Custom I/O Interface Panel

- Customized I/O Interface Panel is available by selecting below I/O interfaces and combine.

Please contact Tescom sales team or your local distributor.

I/O Interface	Description / Order Number	Typical Data Rate / Line Voltage	*Typical Shielding
	DB25, 1000pF pi Filter / 3409-0009-1	3 Mbps / 100 VDC, 5 Amps max	>70 dB from 0.5 to 2 GHz >80 dB from 2 to 3 GHz >70 dB from 3 to 6 GHz
	DB25, 100pF pi Filter / 3409-0014-1	10 Mbps / 100 VDC, 5 Amps max	>50 dB from 0.5 to 2 GHz >60 dB from 2 to 3 GHz >60 dB from 3 to 6 GHz
	DB9, 1000pF pi Filter / 3409-0008-1	3 Mbps / 100 VDC, 5 Amps max	>70 dB from 0.5 to 2 GHz >80 dB from 2 to 3 GHz >70 dB from 3 to 6 GHz
	DB9, 100pF pi Filter / 3409-0010-1	10 Mbps / 100 VDC, 5 Amps max	>50 dB from 0.5 to 2 GHz >60 dB from 2 to 3 GHz >60 dB from 3 to 6 GHz
	USB 2.0 Filter / 3409-0018A-3	480 Mbps / 5 V, 500 mA / Max Current: 5 A	>60 dB from 0.5 to 2 GHz >70 dB from 2 to 3 GHz >70 dB from 3 to 6 GHz
	USB 3.0 Filter(Active) / 3409-0042A-1	5000 Mbps/ 5 V, 900 mA / Max Current: 1.5 A	>70 dB from 0.5 to 2 GHz >70 dB from 2 to 3 GHz >55 dB from 3 to 6 GHz
	RJ-45 Filter / 3409-0022A	1 Gbit/s Copper-Line Ethernet (1000 BASE-T)	>60 dB from 0.5 to 2 GHz >70 dB from 2 to 3 GHz >70 dB from 3 to 6 GHz
	DC Power Adaptor / 3406-0004A	50 VDC, 3 Amps max	>70 dB from 0.5 to 2 GHz >80 dB from 2 to 3 GHz >80 dB from 3 to 6 GHz
	DC Power Adaptor (Banana Jack Type) / 3406-0005A, 3406-0006A	50 VDC, 10 Amps max	>70 dB from 0.5 to 2 GHz >80 dB from 2 to 3 GHz >80 dB from 3 to 6 GHz
	AC Power Adaptor / 3103-0009A	250 VAC, 7 Amps max	>70 dB from 0.5 to 2 GHz >80 dB from 2 to 3 GHz >80 dB from 3 to 6 GHz

I/O Interface	Description / Order Number	Frequency Range / Impedance / V.S.W.R
	RF, N-SMA Connector / 3408-0038	From DC to 6 GHz / 50 Ω / 1.15 max
	RF, SMA-SMA Connector / 3408-0039	From DC to 8 GHz / 50 Ω / 1.15 max

- Each shielding effectiveness is measured when each I/O interface panel, which is shown above, is mounted.
- Above data was measured by Tescom, The Shielding Effectiveness might be different based on the measuring method and condition.
- This data has been measured under the condition that the cables are not connected to each filters. When the cables are connected it can affect the shielding performance.

SPECIFICATIONS SUBJECT TO CHANGE WITHOUT PRIOR NOTICE