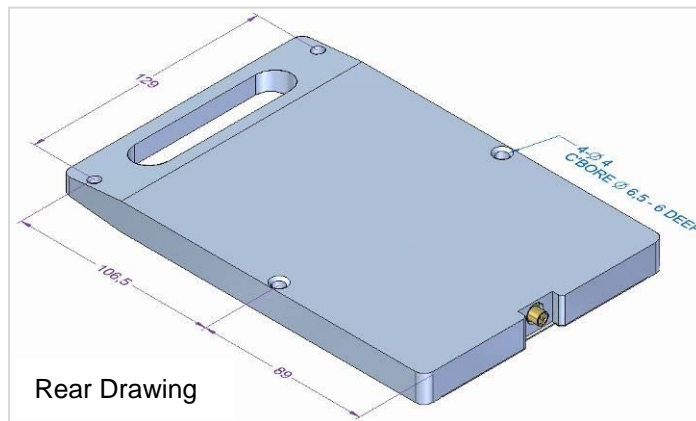
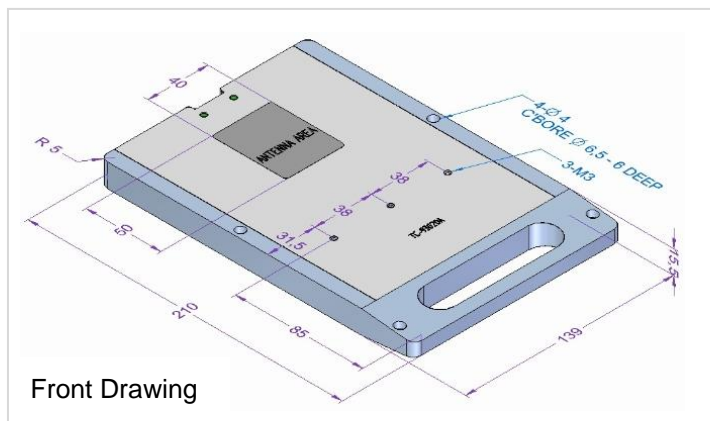
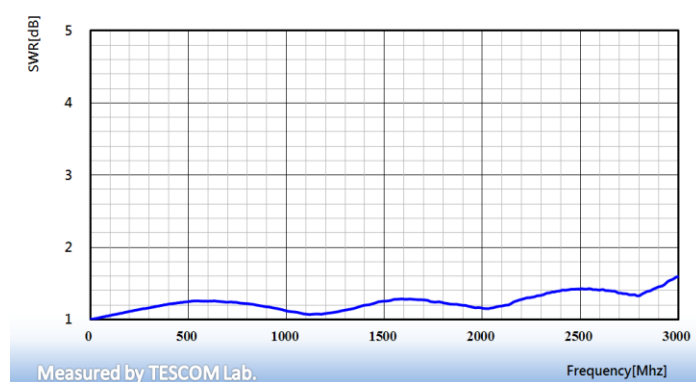


# TC-93020A Flat Type Antenna Coupler



## Specification

Frequency Range	80 ~ 2650 MHz
RF Connector	SMA(f)
Dimension	130(W) x 210(D) x 12(H) mm
Weight	1 kg
Terminal	50 ohm
VSWR	better than 1 : 1.7



Typical VSWR of TC-93020A

## Ordering Information

Order Number	Description
TC-93020A	Flat Type Antenna Coupler (including accessories below)
	SMA(m) R/A to SMA(m) cable, 13 cm - 4005-0035