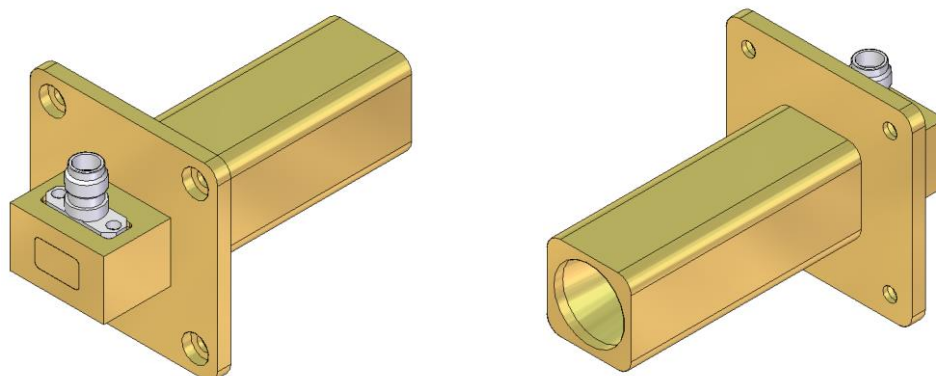


TC-93570A Circular Horn Antenna



Features

- 35 GHz ~ 50 GHz Frequency Range
- 2.4 mm Female RF Interface

Specifications

Configurations

Antenna Type	Circular Horn Antenna
Frequency Range	35 GHz to 50 GHz
RF Connector	
Connector type	2.4 mm Female
Body Material and Plating	Stainless Steel

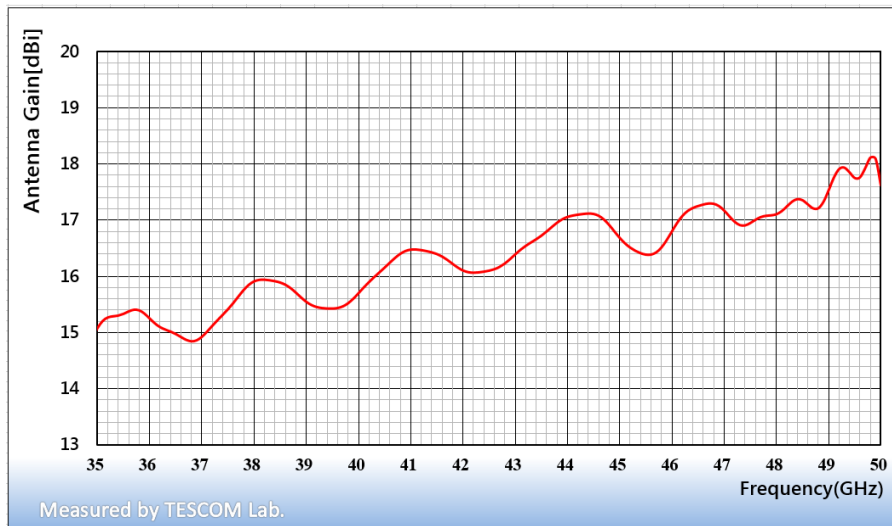
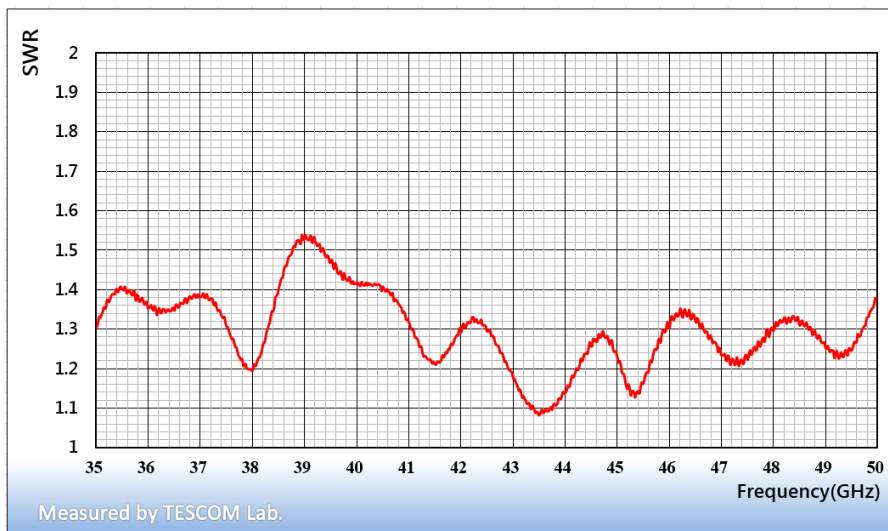
Electrical Specifications

Frequency Range	35 GHz to 50 GHz
Normal Gain, dBi	16 dBi
VSWR	< 2
Impedance	50 Ω

Mechanical Specifications

Size (mm)	
Length x Width x Height	70 x 42 x 42 mm
Weight	approx. 69 g

Typical Performance Data



Ordering Information

Order Number	Description
TC-93570A	Circular Horn Antenna
	- Cable Not Included